

EFCO Technology

Application Note

Document Name	AN3_Eagle Eyes_Ignition Pin
Applicable Products	All Eagle Eyes series
Application Note Subject	Ignition Function Pin
Usage Designation	<input type="checkbox"/> Internal <input checked="" type="checkbox"/> External

Preface

Revision History

Revision	Date	Author	Description
1.0	2019/07/25	J Yen	Preliminary release

Copyright

Copyright © 2019 EFCO Technology. All rights are reserved. EFCO reserves the right to make improvements to the products described in this manual at any time without notice.

No part of this manual may be reproduced, copied, translated or transmitted in any form or by any means without the prior written permission of EFCO. Information provided in this manual is intended to be accurate and reliable. However, EFCO assumes no responsibility for its use, nor for any infringements of the rights of third parties, which may result from its use.

The material in this document is for product information only and is subject to change without notice. While reasonable efforts have been made in the preparation of this document to assure its accuracy, EFCO assumes no liabilities resulting from errors or omissions in this document, or from the use of the information contained herein.

EFCO reserves the right to make changes in the product design without notice.

Acknowledgements

All brand names and/or trademarks are the properties and registered brands of their respective owners.

For more information about this and other EFCO products, please visit our website at: www.efcotec.com

Warnings, Cautions and Notes

Warning! Warnings indicate conditions, which if not observed, can cause personal injury!



Caution! Cautions are included to help you avoid damaging hardware or losing data.



Note! Notes provide optional additional information.



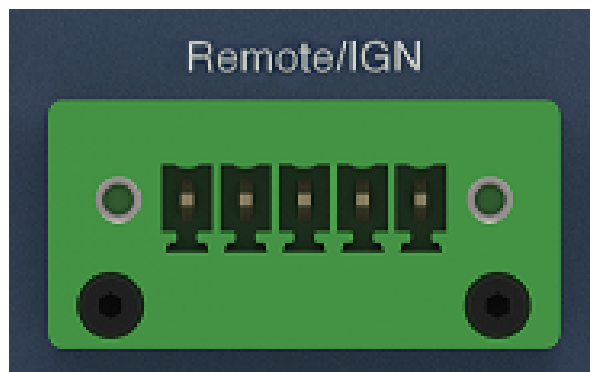
Title

What is the Ignition function pin define? And How to use?

Answer

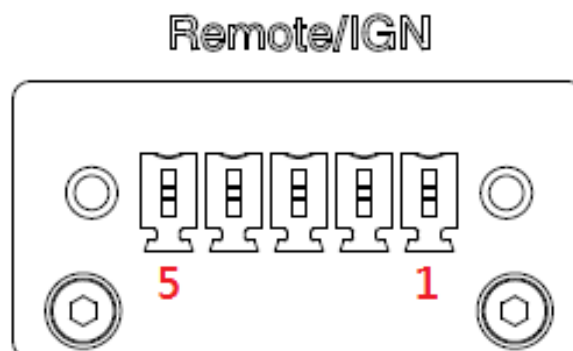
1. Function Description

"Remote/IGN" connector provide Ignition power control function with in-vehicle applications. Internal MCU will control the ignition signals and turns on/ off the system according to pre-defined power on/ off delay period.



3.81mm 1x5 Terminal Block

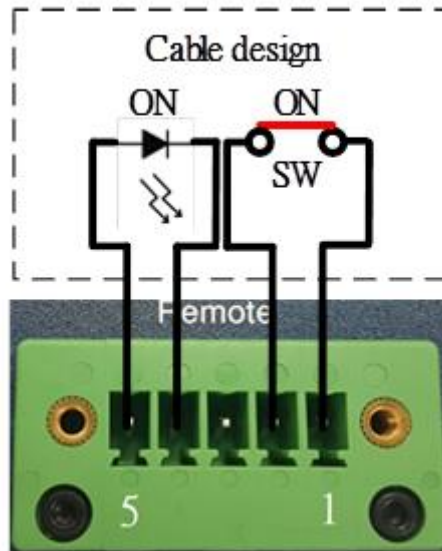
2. Pin Define



Pin No	Description
1	Ignition+
2	Ignition-
3	Power Button_N
4	GND
5	Power LED

3. Ignition Control Connection Method

Connection the "Power switch" and "Power LED" at the Remote/IGN connector. External ignition switch turn-on, the system will power on and the system power LED is lightened when plug DC input power ready. External ignition switch turn-off, the system will be turn off and LED off.



Note! Power button will be no function in ignition mode.



4. Power on delay timer in ignition mode

There are have 16 modes of different power on/ off delay periods in the bios setting.

